

TUFFALOY NICKEL PLATED EJECTOR HOLDERS

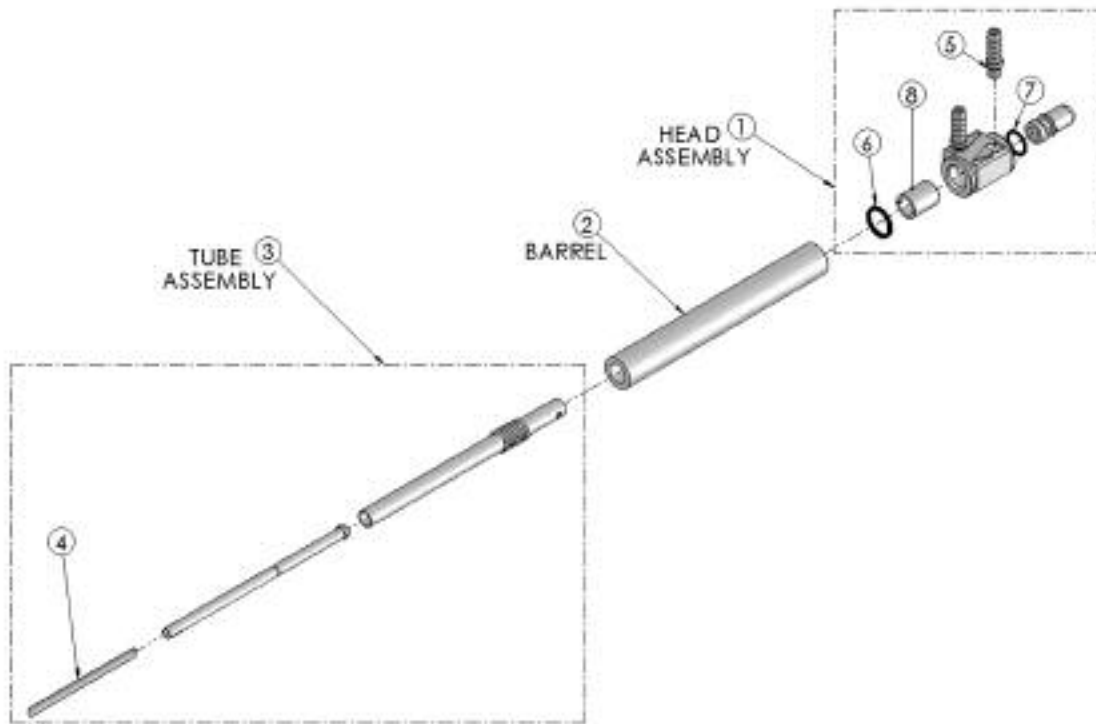


Barrel Diameter	Tip Socket RW	Barrel Length	Description	Holder Assy.
1	4	8	NHE-08084	319-0213
1-1/4	4	8	NHE-10084	319-0214
1	5	8	NEH-08085	319-0216
1-1/4	5	8	NEH-10085	319-0217
1	4	12	NEH-08124	319-0233
1-1/4	4	12	NEH-10124	319-0234
1	5	12	NEH-08125	319-0236
1-1/4	5	12	NEH-10125	319-0237

TUFFALOY NICKEL PLATED EJECTOR HOLDERS

with self-adjusting water tubes

TUFFALOY nickel plated ejector holders feature extra strength Class 2 Tuff 77 alloy and are ground, polished and nickel plated for superior conductivity. These holders also feature exclusive spring-loaded self-adjusting water tubes to ensure proper water flow any electrode.



Description	Holder Assy.	1 Head Assy.	2 Barrel	3 Tube Assy.	4 Water Tube	5 Hose Conn.	6 Barrel O-Ring	7 Head O-Ring	8 All Thread
NHE-08084	319-0213	195-0101	001-213B	195-0210	195-0017	195-8240	195-8251	037-0096	195-0031
NHE-10084	319-0214	195-0101	001-214B	195-0210	195-0017	195-8240	195-8251	037-0096	195-0031
NEH-08085	319-0216	195-0100	001-216B	195-0208	195-0015	195-8240	037-0099	037-0096	195-0030
NEH-10085	319-0217	195-0100	001-217B	195-0208	195-0015	195-8240	037-0099	037-0096	195-0030
NEH-08124	319-0233	195-0101	001-233B	195-0211	195-0017	195-8240	195-8251	037-0096	195-0031
NEH-10124	319-0234	195-0101	001-234B	195-0211	195-0017	195-8240	195-8251	037-0096	195-0031
NEH-08125	319-0236	195-0100	001-236B	195-0212	195-0015	195-8240	037-0099	037-0096	195-0030
NEH-10125	319-0237	195-0100	001-237B	195-0212	195-0015	195-8240	037-0099	037-0096	195-0030

